

Pressure Control Valves

Pressure Reducing Valves RP 814

Pilot-operated Pressure Reducing Valve



Technical Data

Connection DN	100 - 800
Nominal Pressure PN	16 - 25
Inlet Pressure	up to 25 bar
Outlet Pressure	1 - 20 bar
Differential Pressure	min. 2 bar
K_{vs} -Value	60 - 2100 m ³ /h
Temperature	130 °C
Medium	liquids

Description

Self-acting pressure reducers are simple control valves offering accurate control while being easy to install and maintain. They control the pressure downstream of the valve without requiring pneumatic or electrical control elements.

The RP 814 pressure reducing valves are pilot-controlled control valves of tubular design consisting of a main valve, a pilot valve connected with the main valve via pipes and a restrictor assembly with built-in strainer. The valve cone is fitted with a metallic seal.

When the pipeline is depressurised the main valve is kept closed by a preloaded spring. To open the valve a pressure difference ($p_1 - p_2$) of at least 2 bar is required.

When the outlet pressure is below the set pressure the pilot valve is kept open by its spring. The control medium can flow towards the valve outlet. Restrictor D1 produces a pressure drop causing the outlet pressure to be almost equal to the pilot pressure in the main valve. The inlet pressure overcomes the outlet pressure and closing force of the spring and opens the main valve.

As soon as the outlet pressure has reached the set pressure, the pilot valve restricts the flow. This causes the pilot pressure to rise and push the main valve piston into a controlling position in which opening and closing forces are in balance.

When the outlet pressure exceeds the set pressure the pilot valve closes. The pilot pressure is equal to the inlet pressure. The forces acting on the piston are in equilibrium and the main valve is kept closed by its spring.

The restrictors are used to optimise the control characteristics. The bypass line around D2 which is fitted with a non-return valve, ensures quick closing.

The valve is piped internally. The pulse lines must be installed on-site.

These valves are no shut-off elements ensuring a tight closing of the valve. In accordance with DIN EN 60534-4 and/or ANSI FCI 70-2 they may feature a leakage rate in closed position in compliance with the leakage classes III.

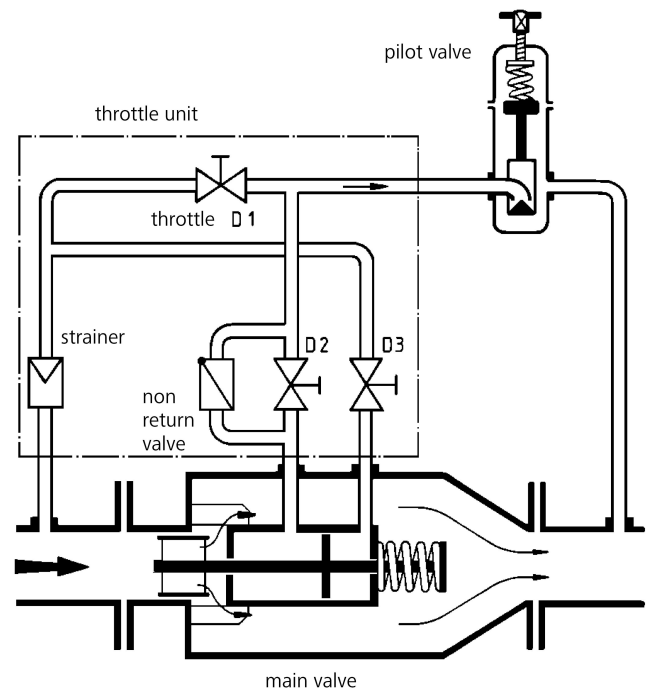
Standard

- » Pilot valve made of stainless steel
- » Throttle block with integrated strainer and throttle valves completely made of stainless steel
- » Internal piping made of stainless steel

Options

- » Nominal pressure level up to PN 100
- » Special connections: ANSI or JIS flanges, other connections on request
- » Special versions on request

Operating instructions, know how and safety instructions must be observed. The pressure has always been indicated as overpressure. We reserve the right to alter technical specifications without notice.



K_{vs} -Values [m ³ /h]					
nominal diameter DN					
100	125	150	200	250	300
60	100	120	180	250	400

K_{vs} -Values [m ³ /h]						
nominal diameter DN						
350	400	450	500	600	700	800
600	800	1100	1200	1800	2000	2100

Setting Ranges [bar], Nominal Pressure		
1 - 5	4 - 12	10 - 20
PN 16 - 25/10	PN 16 - 25/25	PN 16 - 25/40

Pressure Control Valves

Pressure Reducing Valves RP 814

Pilot-operated Pressure Reducing Valve



Materials

Temperature	80 °C	130 °C
Body	steel optional stainless steel welded	
Internals	stainless steel	stainless steel
Valve Seal	stainless steel	stainless steel
O-Ring	NBR	EPDM
Pilot Valve	stainless steel	stainless steel
Sense Line		
Throttle Unit		

Dimensions [mm]

size	nominal diameter DN												
	100	125	150	200	250	300	350	400	450	500	600	700	800
A*	300	325	350	400	450	500	550	600	650	700	800	900	1000
B max.	200	200	220	240	270	300	320	350	380	400	450	500	550
E max.	270	270	270	270	270	270	270	270	270	270	270	270	270

* Overall length tolerances in acc. with DIN EN 558

Weights [kg]

PN	nominal diameter DN												
	100	125	150	200	250	300	350	400	450	500	600	700	800
16	60	60	65	75	120	150	190	240	300	360	420	480	540
25	75	75	80	90	135	165	220	280	360	400	460	580	720

* Overall length tolerances in acc. with DIN EN 558

Customs Tariff Number

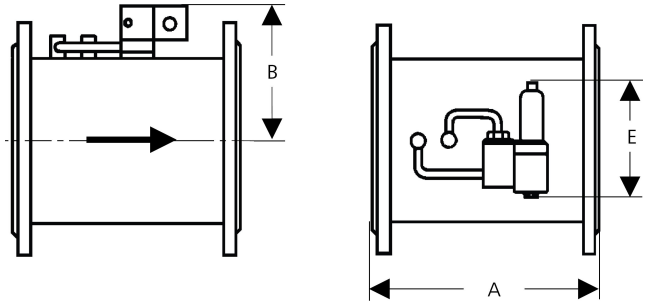
84811019

Special designs on request.

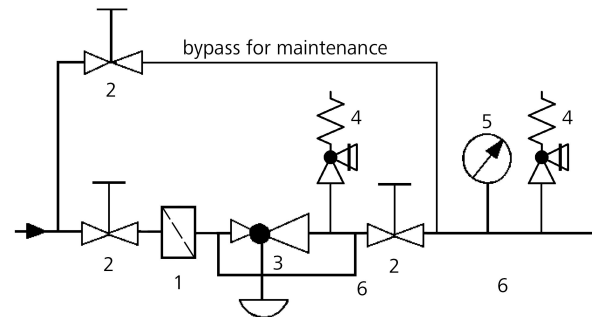
The pressure has always been indicated as overpressure.

Mankenberg reserves the right to alter or improve the designs or specifications of the products described herein without notice.

Dimensional Drawing



Recommended Installation



- 1 Strainer*
- 2 Shut-off Valves
- 3 Pressure Reducer*
- 4 Safety Valves*
- 5 Pressure Gauge
- 6 Sense Line G 1/2

Sense line connection 10 x DN before and behind the valve

*Use MANKENBERG-Products

Authorised Distributor:



46, Jalan SS 22/21, Damansara Jaya,
47400 Petaling Jaya,
Selangor Darul Ehsan, Malaysia.

Email: nog@nog.com.my

Webste: www.nog.com.my