

# Float Valves

## Float Valves for pipelines NV 66e

Level Regulating Valve



### Technical Data

Connection DN	15 - 100
Nominal Pressure PN	16
Operating Pressure	0 - 16 bar
K <sub>vs</sub> -Value	4 - 100 m <sup>3</sup> /h
Temperature	130 °C
Medium	liquids

### Description

Float valves automatically control liquid levels in sealed or open (non-pressurised) tanks and vessels without requiring external energy. The float registers the liquid level and directly controls the valve via a lever. A change in the liquid level immediately results in a changed flow volume.

NV 66 is a pipeline valve for tank mounting capable of handling large volumes. NV 66e is a pipeline valve for horizontal or vertical flow. The valves are made from deep-drawn stainless steel featuring excellent corrosion resistance. The valve cone is fitted with a soft seal.

Top and bottom sections of the valve body are connected by a clamp ring and two bolts. Servicing/maintenance is easy and does not call for special tooling.

The valves are fitted with a float bar on which a float featuring an inner tube is mounted (cylindrical float SC 8). By changing the position of the float on the bar the required liquid level is infinitely variable.

The following note applies to float valves fitted with float bars: If the liquid level is below the float bar i.e. if the float points downwards, a guide for the float bar should be installed.

When enquiring or ordering please quote the suffix letters given below:

- Z = inlet. Valve closes when float rises
- A = outlet. Valve closes when float drops
- w = horizontal flow
- o = upward flow
- u = downward flow
- r = includes sealed spindle

example: float valve Z/w (inlet valve for horizontal flow).

### Standard

- » all stainless steel construction
- » float bar stainless steel
- » cylindrical float SC 8 stainless steel
- » quick-release body clamp ring

### Options

- » various seal materials suitable for your medium
- » special connections: ANSI or JIS flanges, welding spigots; other connections on request
- » special versions on request

Operating instructions, know how and safety instructions must be observed. All the pressure has always been indicated as overpressure. We reserve the right to alter technical specifications without notice.



### K<sub>vs</sub>-Values [m<sup>3</sup>/h]

nominal diameter DN

15	20	25	40	50	65	80	100
4	5	6	20	32	50	80	100

# Float Valves

## Float Valves for pipelines NV 66e

Level Regulating Valve



Materials	
Body	CrNiMo-steel
Cone, Seat	CrNiMo-steel
Piston, Spindle	CrNiMo-steel
Valve Seal	EPDM
Linkage	CrNiMo-steel
Float Rod	CrNiMo-steel
Float	CrNiMo-steel

Dimensions [mm]									
size	nominal diameter DN								
	15	20	25	40	50	65	80	100	
A	160	160	160	200	230	290	310	350	
B	185	185	185	220	220	325	325	325	
D	360	360	360	480	480	640	640	640	
E	270	270	270	360	360	480	480	480	
F	315	315	315	420	420	560	560	560	
G	45	45	45	60	60	80	80	80	

Weights [kg]									
nominal diameter DN									
15	20	25	40	50	65	80	100		
5.8	6.2	6.5	14	14.5	28.5	30.5	31.5		

Cylindrical Float $\varnothing$ SC8 [mm] ( $\varnothing$ = height) *									
nom. diam. DN	15	20	25	40	50	65	80	100	
float $\varnothing$ mm	200	200	200	280	280	305	305	305	

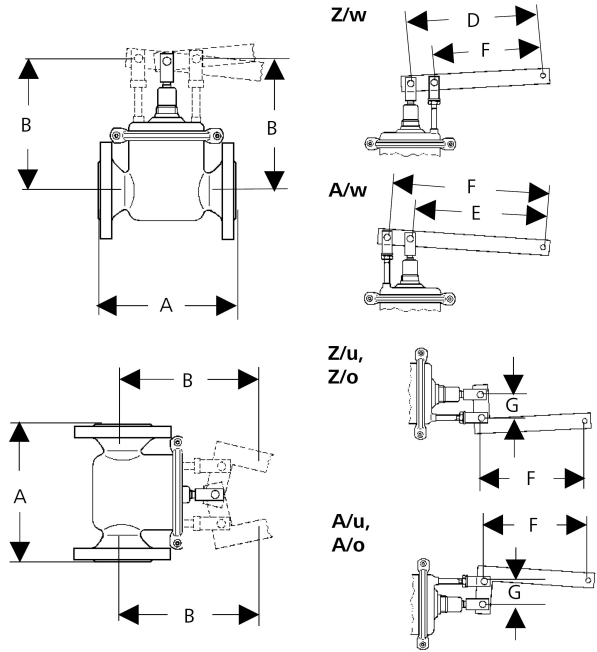
\*dimensions and weights see sheet no. SC/2.1....

Special designs on request.

The pressure has always been indicated as overpressure.

Mankenberg reserves the right to alter or improve the designs or specifications of the products described herein without notice.

### Dimensional Drawing



Authorised Distributor:



46, Jalan SS 22/21, Damansara Jaya,  
47400 Petaling Jaya, Selangor Darul Ehsan, Malaysia.

Email: [nog@nog.com.my](mailto:nog@nog.com.my)

Web access: <http://www.nog.com.my>