

Float Valves

Float Valves for pipelines NV 26



Double Seat Level Control Valve

Technical Data

Connection DN	125 - 400
Nominal Pressure PN	10 - 40
Operating Pressure	0 - 16 bar
K _{vs} -Value	46 - 1800 m ³ /h
Temperature	130 °C
Medium	liquids

Description

Float valves automatically control liquid levels in sealed or open (non-pressurised) tanks and vessels without requiring external energy. The float registers the liquid level and directly controls the valve via a lever. A change in the liquid level immediately results in a changed flow volume.

NV 26 is a pipeline valve for horizontal or vertical flow. The standard soft seal ensures perfect sealing of the valve.

The valves are fitted with a float bar on which a float featuring an inner tube is mounted (cylindrical float SC 8). By changing the position of the float on the bar the required liquid level is infinitely variable.

The following note applies to float valves fitted with float bars: If the liquid level is below the float bar i.e. if the float points downwards, a guide for the float bar should be installed.

When enquiring or ordering please quote the suffix letters given below:

Z = inlet. Valve closes when float rises
A = outlet. Valve closes when float drops

w = horizontal flow

o = upward flow

u = downward flow

r = includes sealed spindle

example: float valve Z/w (inlet valve for horizontal flow).

Standard

- » float bar stainless steel

Options

- » rubber or plastic coating for corrosive media
- » various seal materials suitable for your medium
- » special versions on request

Please state working pressure range when enquiring or ordering.

Operating instructions, know how and safety instructions must be observed. All the pressure has always been indicated as overpressure. We reserve the right to alter technical specifications without notice.



Pressure Range [bar] and K_{vs}-Values [m³/h]

press. range bar	nominal diameter DN						
	125	150	200	250	300	350	400
0 - 1	140	230	380	570	1000	1000	1800
0 - 4	84	140	230	380	570	570	1000
0 - 16	46	84	140	230	380	380	570

Float Valves

Float Valves for pipelines NV 26

Double Seat Level Control Valve



Materials		
Body	PN 10 - 16	spheroidal cast iron or cast steel
	PN 25 - 40	cast steel
	PN 16 - 40	optional CrNiMo-steel *
Cone and Seat	Cr-steel optional CrNiMo-steel	
Cone Guide	Rg optional CrNiMo-steel	
Valve Seal	EPDM	
Linkage	steel zinced or steel optional CrNiMo-steel	

Dimensions [mm] and Weights [kg] PN 10/16*								
size	nominal diameter DN							
	125	150	200	250	300	350	400	
A	400	480	600	730	850	980	1100	
B	325	400	440	490	540	540	555	
C	185	200	210	250	290	290	385	
D	760	895	1120	1280	1440	1440	1600	
E	570	675	840	960	1080	1080	1200	
F	665	785	980	1120	1260	1260	1400	
G	95	110	140	160	180	180	200	
kg	93	128	198	276	480	535	690	

*PN 25/40 on request

Necessary Cylindrical Float \varnothing SC 8 [mm] (\varnothing = height)*								
press. range bar	nominal diameter DN							
	125	150	200	250	300	350	400	
0 - 1	240	305	305	340	380	380	380	
0 - 4	280	340	340	380	420	420	460	
0 - 16	380	420	460	500	600	600	600	

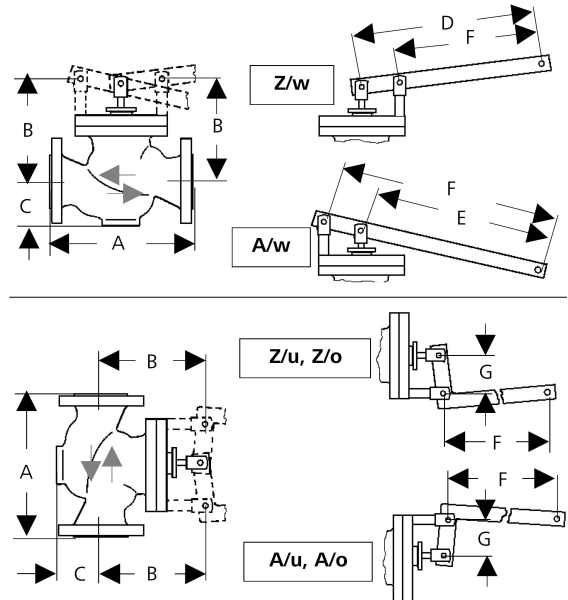
*dimension and weights see sheet no. SC/2.1....

Special designs on request.

The pressure has always been indicated as overpressure.

Mankenberg reserves the right to alter or improve the designs or specifications of the products described herein without notice.

Dimensional Drawing



Authorised Distributor:



46, Jalan SS 22/21, Damansara Jaya,
47400 Petaling Jaya, Selangor Darul Ehsan, Malaysia.

Email: nog@nog.com.my

Web access: <http://www.nog.com.my>