

PRESSURE CONTROL

Pressure reducing valve DM 462V

Hygienic valve for ultrapure media and medium flow rates

MANKENBERG

Technical data

Connection DN	25
Nominal pressure PN	2.5 - 16
Inlet pressure	8 bar
Back pressure	0.8 - 5 bar
K _{vs} value	4 m ³ /h
Temperature	180 °C
Medium	liquids, gases and steam
*RT = -10 °C up to + 50 °C	

Description

Self-acting pressure reducers are simple control valves offering accurate control while being easy to install and maintain. They control the pressure downstream of the valve without requiring pneumatic or electrical control elements.

This valve is manufactured from deep-drawn stainless steel featuring excellent corrosion resistance. It contains virtually no dead pockets and is suitable for use in CIP and SIP systems. The angled design allows complete draining.

The spring module comprising spring cap, spring, adjusting screw, diaphragm and internal components, is connected to the valve body only by means of a clamp ring and two bolts. Changing the diaphragm or the complete spring assembly for a different control range is very easy and without special tools. The same applies to servicing and maintenance.

The outlet pressure to be controlled is balanced across the control unit by the force of the valve spring (set pressure). As the outlet pressure rises above the pressure set using the adjusting screw, the valve cone moves towards the seat and the volume of medium is reduced. As the outlet pressure drops, the valve control orifice increases; when the pipeline is depressurised, the valve is open. Rotating the adjusting screw clockwise increases the outlet pressure.

These valves are no shut-off elements ensuring a tight closing of the valve. In accordance with DIN EN 60534-4 and/or ANSI FCI 70-2 they may feature a leakage rate in closed position in compliance with the leakage classes III or V, optional IV.

The design data refer to the maximum inlet pressure, the outlet pressure is limited by the setting range.

Standard

- » All stainless steel construction
- » Clamping flanges DIN 32676
- » Non-rising adjusting screw
- » Quick-release body clamp ring
- » PTFE protective foil for the diaphragm
- » For toxic or hazardous media: sealed spring cap complete with leakage line connection (incl. sealed adjusting screw). Must be installed with a leakage line capable of draining leaking medium safely and without pressure

Options

- » Polished version for food, pharmaceutical and superclean applications
- » surface roughness: Ra ≤ 0.25/ ≤ 0.4/ ≤ 0.8 µm
- » Electro-pneumatic actuation
- » Various diaphragm and seal materials suitable for your medium
- » Special connections: Aseptic, ANSI or DIN flanges, NPT, welding spigots; other connections on request
- » Special versions on request

Product



Picture similar

Technical specification

K_{vs} values [m³/h]

nominal diameter	DN	25
K _{vs} value	[m ³ /h]	4

Pressure ranges [bar], nominal pressure PN

pressure range	bar	0.8 - 2.5	2 - 5
nominal pressure	PN	16/6	16/10

Pressure reducing valve DM 462V

Hygienic valve for ultrapure media and medium flow rates

Materials

Materials*		
Temperature	130 °C	180 °C
Body, bonnet, internals	stainless steel 1.4404 / 316L	stainless steel 1.4404 / 316L
Spring	stainless steel 1.4310 / 301	stainless steel 1.4310 / 301
Valve seal	EPDM	FEPM
Diaphragm	EPDM	FKM
Protection foil for diaphragm	Option	PTFE

*All materials equal or of higher quality

Dimensions and weights

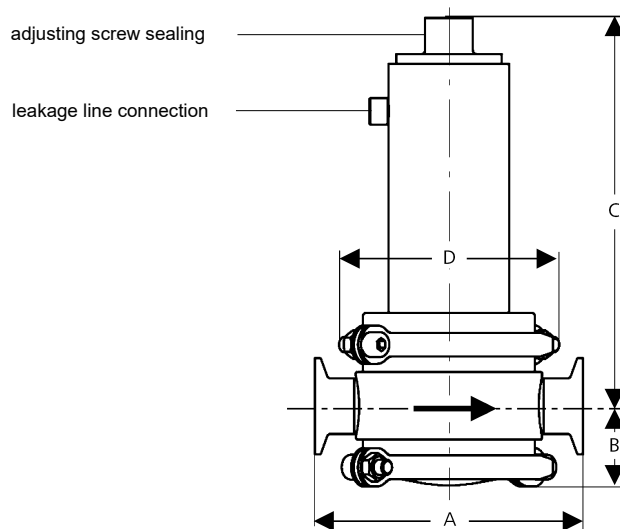
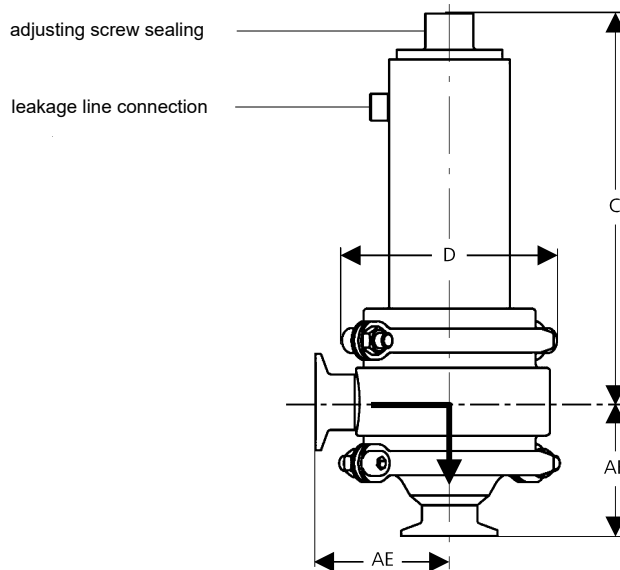
Dimensions [mm] angle design	
size	nominal diameter (clamps)
	DN 25
AE*	85
C	205
D	107

Dimensions [mm] straight through design	
size	nominal diameter (clamps)
	DN 25
A*	140
B	45
C	205
D	107

*overall length tolerances in acc. with DIN EN 558

Weight [kg]	
nominal diameter	
DN 25 (clamps)	
	5

Customs tariff number	
	84811019



Mankenberg GmbH | Spenglerstrasse 99 | D-23556 Luebeck | Germany

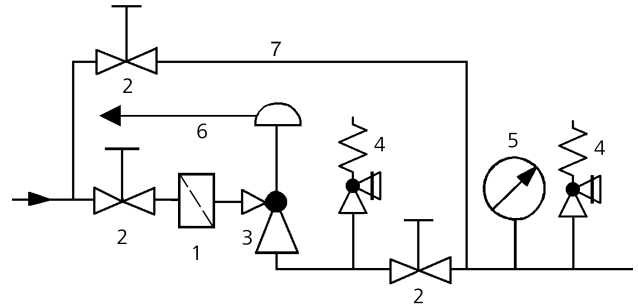
Please send us your enquiry and allow us to advise you. Special designs on request.
The pressure has always been indicated as overpressure. Mankenberg reserves the right to alter technical specifications without notice.

Pressure reducing valve DM 462V

Hygienic valve for ultrapure media and medium flow rates

Recommended installation

- | | |
|----------------------------|------------------|
| 1 Strainer | 5 Pressure gauge |
| 2 Shutoff valves | 6 Leakage line |
| 3 Pressure reducing valve* | 7 Bypass |
| 4 Safety valve | |



Authorised Distributor:



46, Jalan SS 22/21, Damansara Jaya,
 47400 Petaling Jaya,
 Selangor Darul Ehsan, Malaysia.
 Email: nog@nog.com.my
 Website: www.nog.com.my

Please send us your enquiry and allow us to advise you. Special designs on request.
 The pressure has always been indicated as overpressure. Mankenberg reserves the right to alter technical specifications without notice.