

- > Port size: 1/4" ... 1 1/2" (ISO G/NPT)
1/2" ... 2" (Flanged)
- > Zone 0, Exia solenoid pilot operated valve
- > Safety integrity level 1 and 2
- > Reliable and long life, ideal for a one time installation
- > A pilot assisted solenoid operated valve for the control of pneumatic or hydraulic operated equipment
- > ATEX certified, complies with ATEX directive 94/9/EC
- > Environmental protection; NEMA 4X, IP66/X8



Technical features

Medium:

Hydraulic and pneumatic – customer to specify and confirm compatibility

Operation:

Indirect solenoid operated poppet valves

Mounting position:

Solenoid vertical

Flow:

0,8 Cv, (11,5 Kv) to 28 Cv (403 Kv)

Port size:

1/4 ... 1 1/2 NPT, G1/4 ... G1 1/2, Flanged 1/2 ... 2 available on request

Solenoid pilot port size:

1/4 NPT or G1/4

Operating pressure:

0 ... 20 bar (0 ... 290 psi)
0 ... 50 bar (0 ... 725 psi)
0 ... 207 bar (0 ... 3002 psi)

Pilot pressure:

3 ... 8 bar (43 ... 116 psi)

Temperature:

Media:
-20 ... +90°C (-4 ... +194°F)
Ambient:
-40 ... +64°C (-40 ... +147°F)
Air supply must be dry enough to avoid ice formation at temperatures below +2°C (+35°F).

Materials:

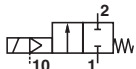
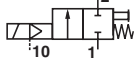
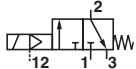
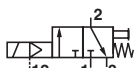
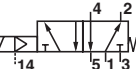
Valve body, trim, coil housing and top cover:
stainless steel 1.4404 (316 L)
O-rings seats & seals: high NBR

Other seat/seal materials available

Additional global approvals:

GOST-R, CCOE

Technical data – standard models

| Symbol | Port size | Function | Operating pressure (bar) | Material Seat seal | Manual override/ reset | Conduit connection | Certification | Weight (kg) | Dimension No. | Model |
|---|-----------|----------|--------------------------|--------------------|------------------------|--------------------|---------------|-------------|---------------|-----------------|
|  | 1/4 NPT | 2/2 NC | 0 ... 20 | NBR | Without | M20 x 1,5 | Ex ia IIC T6 | 4.5 | 1 | Y2H21AA1SA10300 |
| | G 1/4 | 2/2 NC | 0 ... 20 | NBR | Without | M20 x 1,5 | Ex ia IIC T6 | 4.5 | 1 | Y2H21AE1SA10300 |
| | 1/2 NPT | 2/2 NC | 0 ... 20 | NBR | Without | M20 x 1,5 | Ex ia IIC T6 | 6 | 2 | Y2H21AA3SA10300 |
| | G 1/2 | 2/2 NC | 0 ... 20 | NBR | Without | M20 x 1,5 | Ex ia IIC T6 | 6 | 2 | Y2H21AE3SA10300 |
|  | 1/4 NPT | 2/2 NC | 0 ... 20 | NBR | PBMR*1) | M20 x 1,5 | Ex ia IIC T6 | 6 | 3 | Y2H21PA1SA10300 |
| | G 1/4 | 2/2 NC | 0 ... 20 | NBR | PBMR*1) | M20 x 1,5 | Ex ia IIC T6 | 6 | 3 | Y2H21PE1SA10300 |
| | 1/2 NPT | 2/2 NC | 0 ... 20 | NBR | PBMR*1) | M20 x 1,5 | Ex ia IIC T6 | 8 | 4 | Y2H21PA3SA10300 |
| | G 1/2 | 2/2 NC | 0 ... 20 | NBR | PBMR*1) | M20 x 1,5 | Ex ia IIC T6 | 8 | 4 | Y2H21PE3SA10300 |
|  | 1/4 NPT | 3/2 UNI | 0 ... 20 | NBR | Without | M20 x 1,5 | Ex ia IIC T6 | 6.5 | 5 | Y2H23AA1SA10300 |
| | G 1/4 | 3/2 UNI | 0 ... 20 | NBR | Without | M20 x 1,5 | Ex ia IIC T6 | 6.5 | 5 | Y2H23AE1SA10300 |
| | 1/2 NPT | 3/2 UNI | 0 ... 20 | NBR | Without | M20 x 1,5 | Ex ia IIC T6 | 8 | 6 | Y2H23AA3SA10300 |
| | G 1/2 | 3/2 UNI | 0 ... 20 | NBR | Without | M20 x 1,5 | Ex ia IIC T6 | 8 | 6 | Y2H23AE3SA10300 |
| | 1 NPT | 3/2 UNI | 0 ... 20 | NBR | Without | M20 x 1,5 | Ex ia IIC T6 | 25 | 7 | Y2H23AA6SA10300 |
| | G 1 | 3/2 UNI | 0 ... 20 | NBR | Without | M20 x 1,5 | Ex ia IIC T6 | 25 | 7 | Y2H23AE6SA10300 |
| | 1/4 NPT | 3/2 UNI | 0 ... 50 | NBR | Without | M20 x 1,5 | Ex ia IIC T6 | 6.5 | 5 | Y2H33AA1SA10300 |
| | G 1/4 | 3/2 UNI | 0 ... 50 | NBR | Without | M20 x 1,5 | Ex ia IIC T6 | 6.5 | 5 | Y2H33AE1SA10300 |
| | 1/4 NPT | 3/2 UNI | 0 ... 207 | NBR | Without | M20 x 1,5 | Ex ia IIC T6 | 6.5 | 5 | Y2H63AA1SA10300 |
| | G 1/4 | 3/2 UNI | 0 ... 207 | NBR | Without | M20 x 1,5 | Ex ia IIC T6 | 6.5 | 5 | Y2H63AE1SA10300 |
|  | 1/4 NPT | 3/2 UNI | 0 ... 20 | NBR | PBMR*1) | M20 x 1,5 | Ex ia IIC T6 | 6.5 | 8 | Y2H23PA1SA10300 |
| | G 1/4 | 3/2 UNI | 0 ... 20 | NBR | PBMR*1) | M20 x 1,5 | Ex ia IIC T6 | 6.5 | 8 | Y2H23PE1SA10300 |
| | 1/2 NPT | 3/2 UNI | 0 ... 20 | NBR | PBMR*1) | M20 x 1,5 | Ex ia IIC T6 | 8 | 9 | Y2H23PA3SA10300 |
| | G 1/2 | 3/2 UNI | 0 ... 20 | NBR | PBMR*1) | M20 x 1,5 | Ex ia IIC T6 | 8 | 9 | Y2H23PE3SA10300 |
|  | 1/4 NPT | 5/2 | 0 ... 20 | NBR | Without | M20 x 1,5 | Ex ia IIC T6 | 6.5 | 10 | Y2H25AA1SA10300 |
| | G 1/4 | 5/2 | 0 ... 20 | NBR | Without | M20 x 1,5 | Ex ia IIC T6 | 6.5 | 10 | Y2H25AE1SA10300 |

Other operators, pressures and functions available - please see product selector on page 2.

Other products and body materials available consult Maxseal technical service for further information.

*1) PBMR = Push button manual reset

Technical data – solenoid operators

| | |
|-------------------------|--|
| Nominal voltages | 12 V d.c. via an energy limiting barrier |
| Pull-in voltage | ≥ 87,5% of nominal |
| Response times | Pull-in < 150 ms, drop out < 80ms |
| Drop-out voltage | 10 ... 20% of nominal |
| Coil rating | 340 ohms |

| | |
|---------------------------|---|
| Power consumption | 0,5 watts |
| Voltage protection | Surge suppression diodes fitted as standard |
| Coil encapsulation | Class H |
| Leak performance | Bubble tight |
| Coil duty cycle | 100% |

Option selector

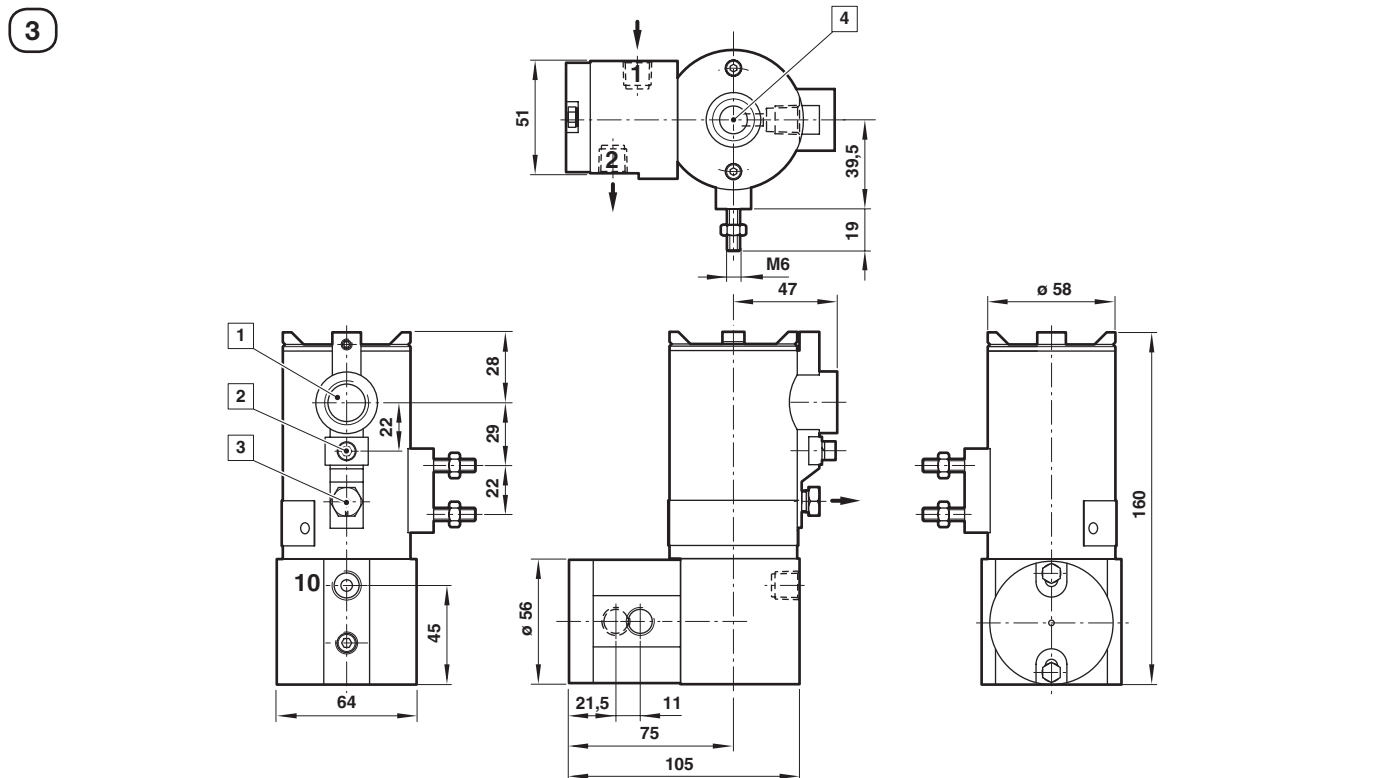
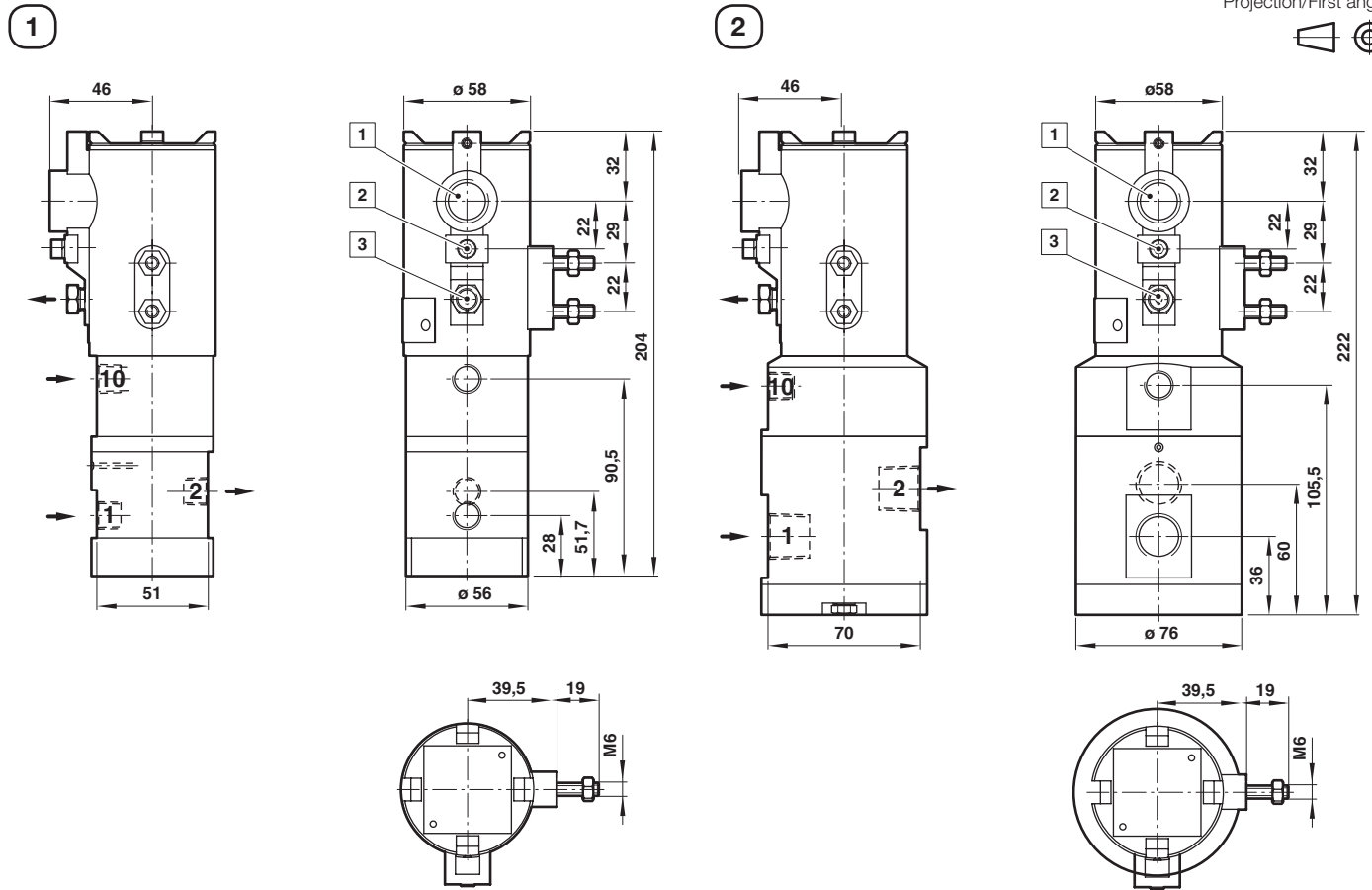
Y2***S*1-03-00**

| | |
|---|-------------------|
| Seat /seal material | Substitute |
| High nitrile | H |
| FKM | V |
| Nylon /High nitrile | J * |
| Nylon / FKM | K* |
| Low nitrile | L |
| Pressure range | Substitute |
| 0 ... 20 bar (all valves) | 2 |
| 0 ... 50 bar (0 ... 725 psi) (2/2 & 3/2 way valves only) | 3 |
| 0 ... 207 (2/2 & 3/2 way valves only) | 6 |
| Function | Substitute |
| 2 /2 NC (normally closed) | 1 |
| 2 /2 NO (normally open) | 2 |
| 3/2 | 3 |
| 5/2 | 5 |
| Operation | Substitute |
| Automatic | A |
| Automatic latching lever (0 20 bar only) | B |
| Push button manual reset | P |
| Jack screw manual override (3/2 valve only) | S |

| | |
|---|-------------------|
| Conduit / Solenoid pilot port size | Substitute |
| M20 ISO / 1/4 NPT | A |
| M20 ISO / 1/4 BSP | B |
| 1/2 NPT / 1/4 NPT | D |
| 1/2 NPT / 1/4 BSP | E |
| Port size | Substitute |
| 1/4 NPT | A1 |
| 1/2 NPT | A3 |
| 3/4 NPT | A5 |
| 1 NPT | A6 |
| 1 1/2 NPT | A8 |
| G 1/4 | E1 |
| G 1/2 | E3 |
| G 3/4 | E5 |
| G 1 | E6 |
| G 1 1/2 | E8 |

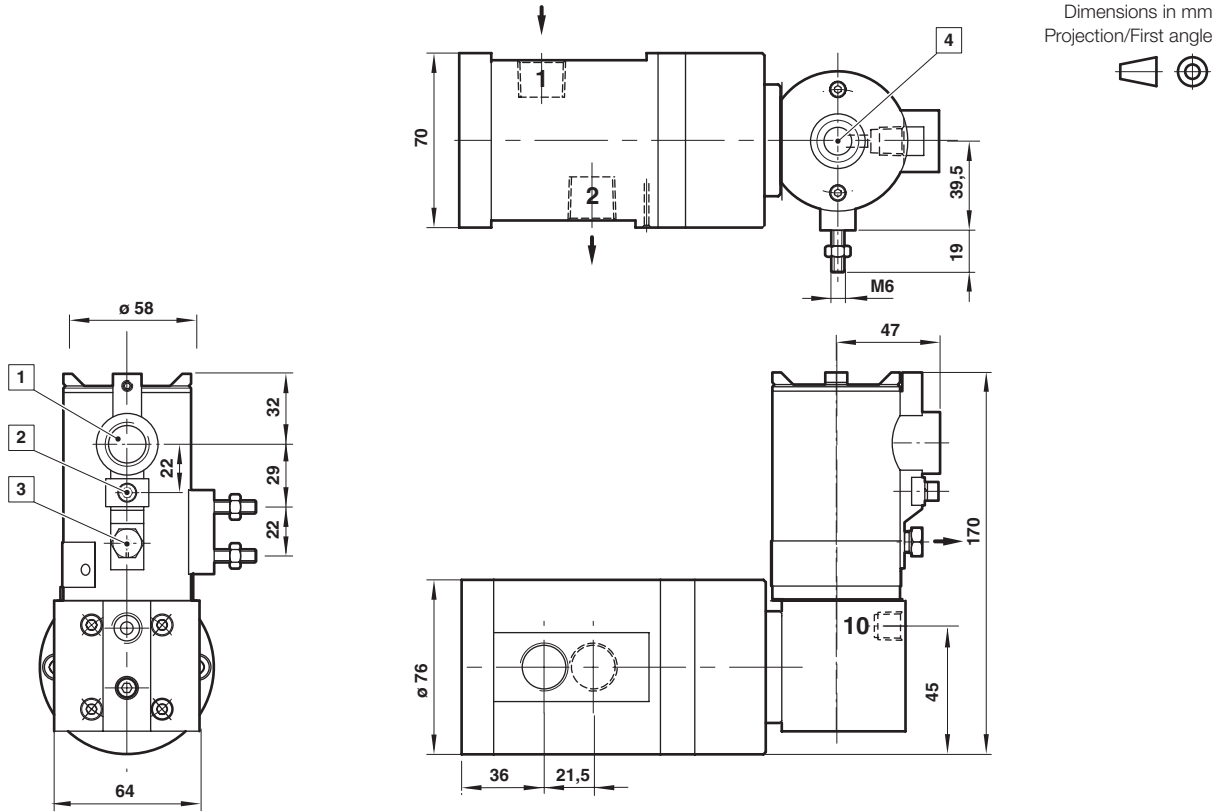
* Greater than 50 bar operating pressure

Dimensions

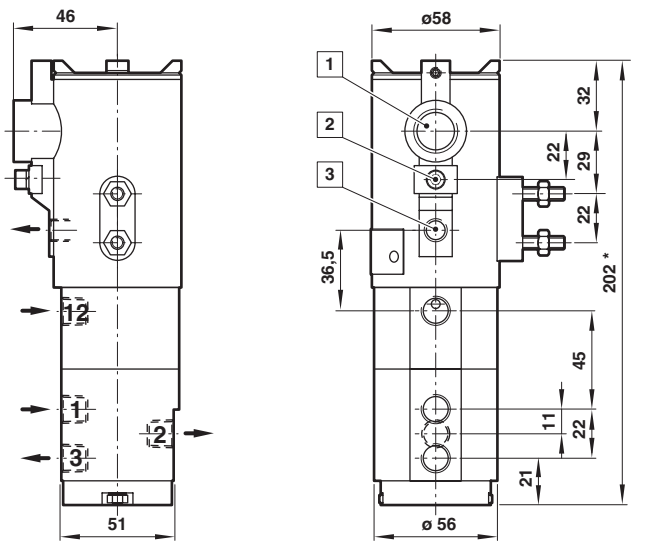
 Dimensions in mm
 Projection/First angle


- 1** Conduit connection M20 x 1,5 or 1/2 NPT
- 2** External earth
- 3** Pilot exhaust plugged
- 4** Manual reset (PBMR)

4

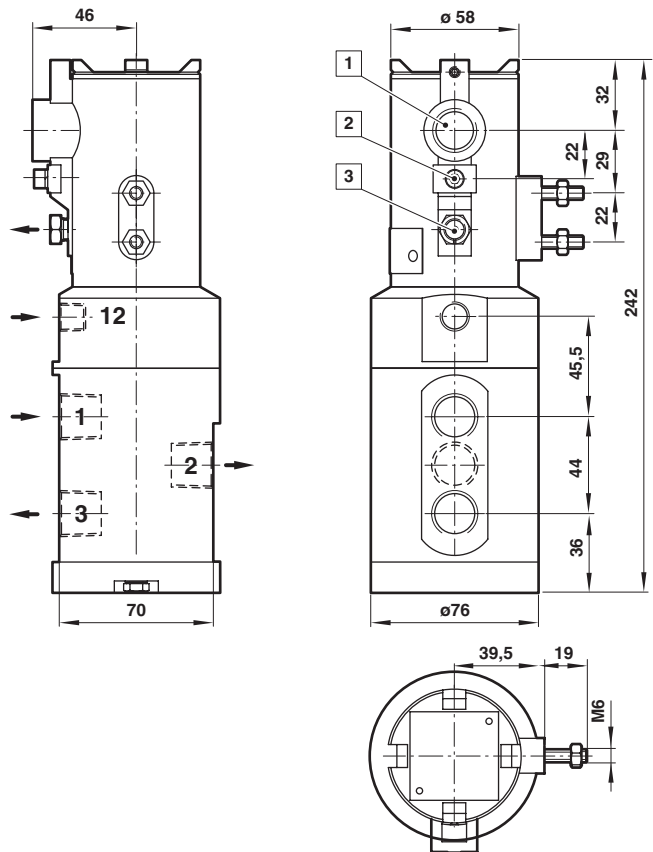


5



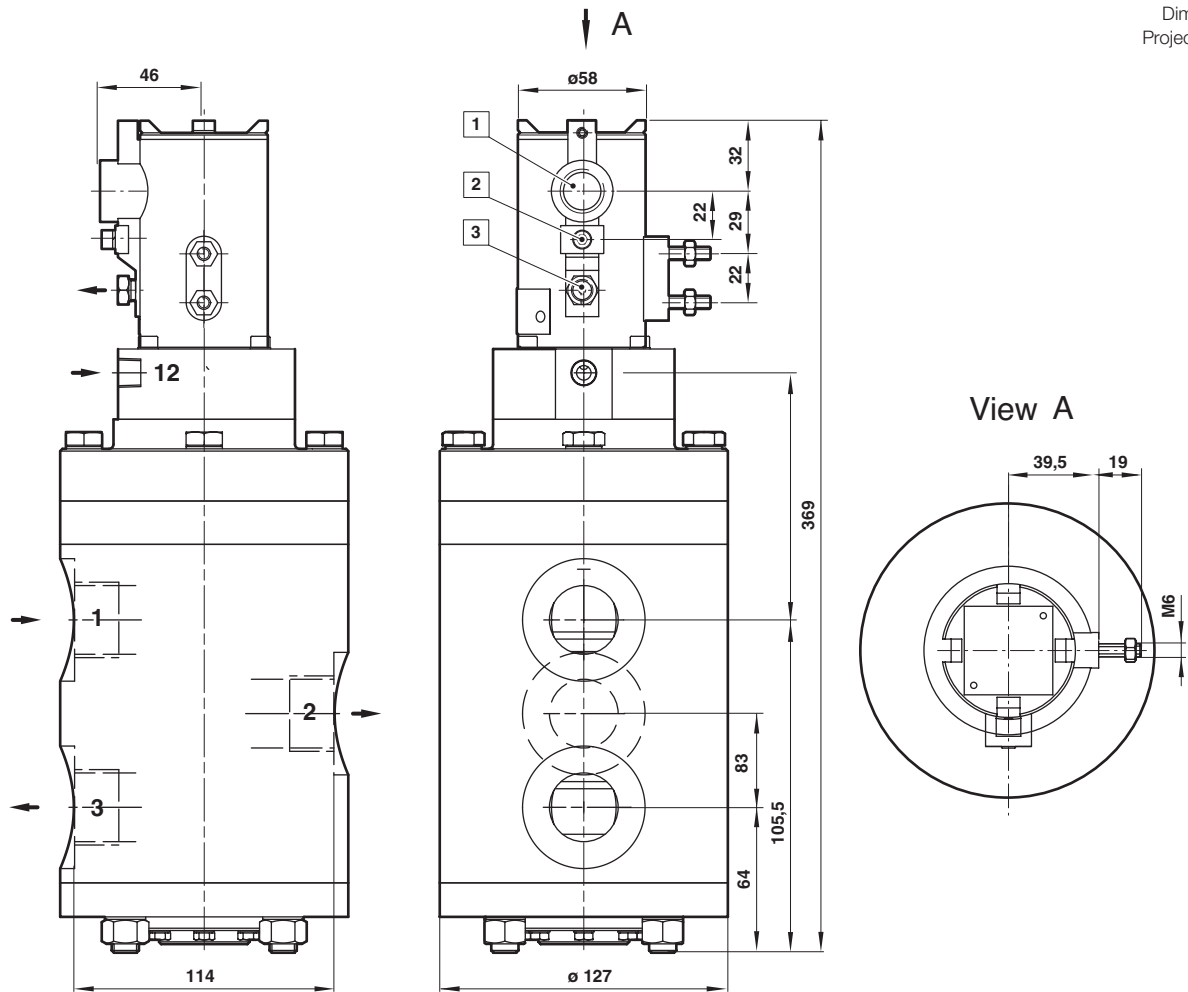
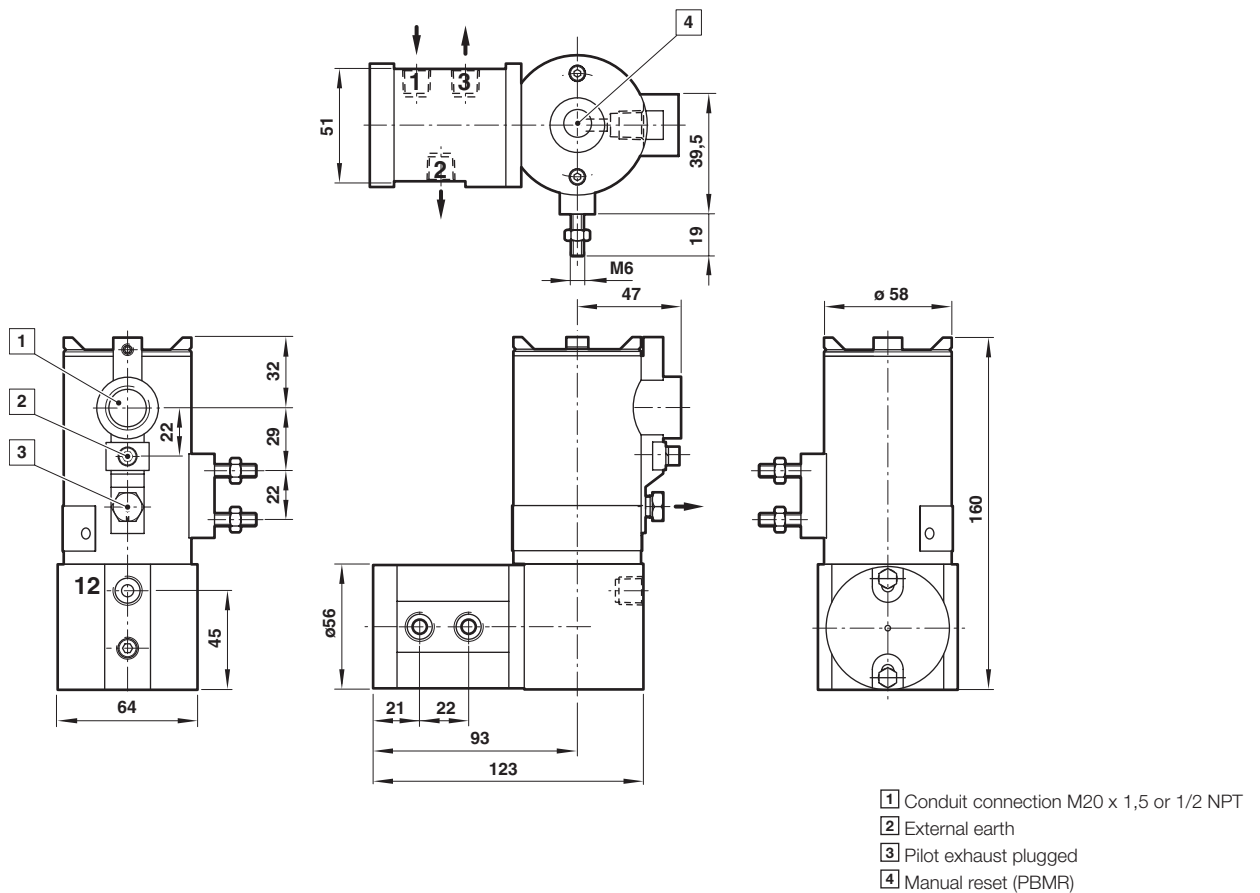
* 209mm for 207 bar valve

6



- 1 Conduit connection M20 x 1,5 or 1/2 NPT
- 2 External earth
- 3 Pilot exhaust plugged
- 4 Manual reset (PBMR)

Dimensions in mm
 Projection/First angle

7

8


- 1 Conduit connection M20 x 1,5 or 1/2 NPT
- 2 External earth
- 3 Pilot exhaust plugged
- 4 Manual reset (PBMR)

Authorised Distributor:

46, Jalan SS 22/21, Damansara Jaya,
47400 Petaling Jaya, Selangor Darul Ehsan, Malaysia.

Email: nog@nog.com.my

Web access: <http://www.nog.com.my>

Warning

These products are intended for use in industrial compressed air systems only. Do not use these products where pressures and temperatures can exceed those listed under

»Technical features/data«.

Before using these products with fluids other than those specified, for non-industrial applications, life-support systems or other applications not within published specifications, consult IMI Precision Engineering, Thompson Valves Ltd.

Through misuse, age, or malfunction, components used in fluid power systems can fail in various modes.

The system designer is warned to consider the failure modes of all component parts used in fluid power systems and to provide adequate safeguards to prevent personal injury or damage to equipment in the event of such failure.

System designers must provide a warning to end users in the system instructional manual if protection against a failure mode cannot be adequately provided.

System designers and end users are cautioned to review specific warnings found in instruction sheets packed and shipped with these products.