

# Pipeline Ancillaries

## Sight Glasses and Flow Indicators DA 6.00 - 6.30



Single Glass Sight Glasses / Flow Indicators

### Technical Data

Connection DN	15 - 50
Connection G	1/2 - 2
Nominal Pressure PN	16
Temperature	130 °C
Medium	liquids, gases and steam

### Description

Sight glasses without flow indicator may be used for easy checking of fill levels, consistency, bi- or multiphase flows or condensate. They may also be used for mixtures of liquids, gases and vapours. Flow indicators fitted with a vane can be used for monitoring the flow of liquids, gases and biphasic fluids. Flow indicators fitted with an impeller are used for liquids and small flow volumes.

DA 6.00 sight glass without internal components:

Installation:  
» in any position

DA 6.10 flow indicator with internal vane for uniform flow direction: With graduated scale 1 – 10 for horizontal or vertical installation. Sizes 1/2 - 1 or DN 15 - 25 are supplied without return spring; they can be supplied with return spring as an option; return springs can be fitted retrospectively. All other sizes are fitted with return springs as standard equipment.

Installation:  
» with spring: in any position  
» without spring: horizontal only if vane points downward;  
vertical only if flow is upward.

DA 6.12 with external indicator for uniform flow direction, for turbid or opaque fluids: With graduated scale 1 – 10 for horizontal or vertical installation. Sizes G 1/2 - G 1 or DN 15 - 25 are supplied without return spring; they can be supplied with return spring as an option; return springs can be fitted retrospectively. All other sizes are fitted with return springs as standard equipment.

Installation:  
» with spring: in any position  
» without spring: horizontal only if pointer points downward;  
vertical only if flow is upward.

DA 6.30 with impeller wheel uniform flow direction, for small flow volumes ( $v < 1$  m/s):

Installation:  
» in any position

Top and bottom sections of the valve body are connected by a clamp ring and two bolts. Servicing/maintenance is easy and does not call for special tooling.

### Standard

- » All stainless steel construction
- » Quick-release body clamp ring

### Options

- » Various seal materials suitable for your medium
- » Special connections: Aseptic, ANSI or JIS flanges, welding spigots; other connections on request
- » Special versions on request

Operating instructions, know how and safety instructions must be observed. The pressure has always been indicated as overpressure. We reserve the right to alter technical specifications without notice.



### Sensitivity [m³/h]

type	nominal diameter G					
	1/2	3/4	1	1 1/4	1 1/2	2
6.10	0.2	0.25	0.3	1.8	1.8	2.3
6.12	0.4	0.6	0.8	2	2	2.3
6.30	0.15	0.4	0.5	0.5	0.6	1

### Sensitivity [m³/h]

type	nominal diameter DN					
	15	20	25	32	40	50
6.10	0.2	0.25	0.3	1.8	1.8	2.3
6.12	0.4	0.6	0.8	2	2	2.3
6.30	0.15	0.4	0.5	0.5	0.6	1

Sensitivity for water 20 °C, horizontal installation

# Pipeline Ancillaries

## Sight Glasses and Flow Indicators DA 6.00 - 6.30

Single Glass Sight Glasses / Flow Indicators



Materials		
Type	DA 6.00	DA 6.10
Temperature	130 °C	130 °C
Body	CrNiMo-steel	
Seal	EPDM optional Nova Universal	
Glass	borosilicate glass	
Internals	without	CrNiMo-steel
Cover Fastening	profile clamp made of CrNiMo-steel G 2 and DN 50 with screws	

Materials		
Type	DA 6.12	DA 6.30
Temperature	80 °C	80 °C
Body	CrNiMo-steel	
Seal	EPDM	EPDM optional Nova Universal
Glass	without	borosilicate glass
Internals	CrNiMo-steel	CrNiMo-steel, PBTP
Cover Fastening	profile clamp and CrNiMo-steel G 2 and DN 50 with screws	

Dimensions [mm]							
size		nominal diameter G					
		1/2	3/4	1	1 1/4	1 1/2	2
A*		100	105	140	192	190	225
B		25	25	25	25	25	50
C		75	75	75	75	75	150
D		140	140	140	140	140	135
øE	DA 6.00/6.10/6.30	65	65	65	65	65	90
	DA 6.12	80	80	80	80	80	90

Dimensions [mm]							
size		nominal diameter					
		15	20	25	32	40	50
A*		170	180	215	220	226	230
B		25	25	25	25	50	50
C		75	75	75	75	150	150
D		140	140	140	140	135	135
øE	DA 6.00/6.10/6.30	65	65	65	65	90	90
	DA 6.12	80	80	80	80	90	90

\* Overall length tolerances in acc. with DIN EN 558

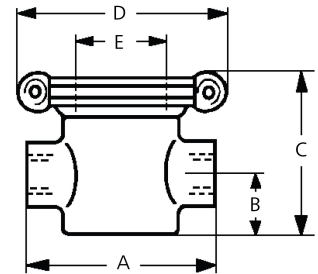
Weights [kg]											
nominal diameter G						nominal diameter DN					
1/2	3/4	1	1 1/4	1 1/2	2	15	20	25	32	40	50
						2.3	3	3.3	4.5	4.9	5.8
						0.85					

Customs Tariff Number
84818099

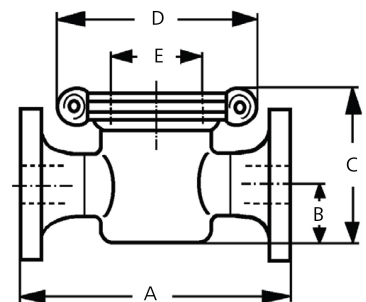
Special designs on request.  
The pressure has always been indicated as overpressure.  
Mankenberg reserves the right to alter or improve the designs or specifications of the products described herein without notice.

### Dimensional Drawing

sleeve



flange



Authorised Distributor:



46, Jalan SS 22/21, Damansara Jaya,  
47400 Petaling Jaya,  
Selangor Darul Ehsan, Malaysia.

Email: [nog@nog.com.my](mailto:nog@nog.com.my)  
Webste: [www.nog.com.my](http://www.nog.com.my)