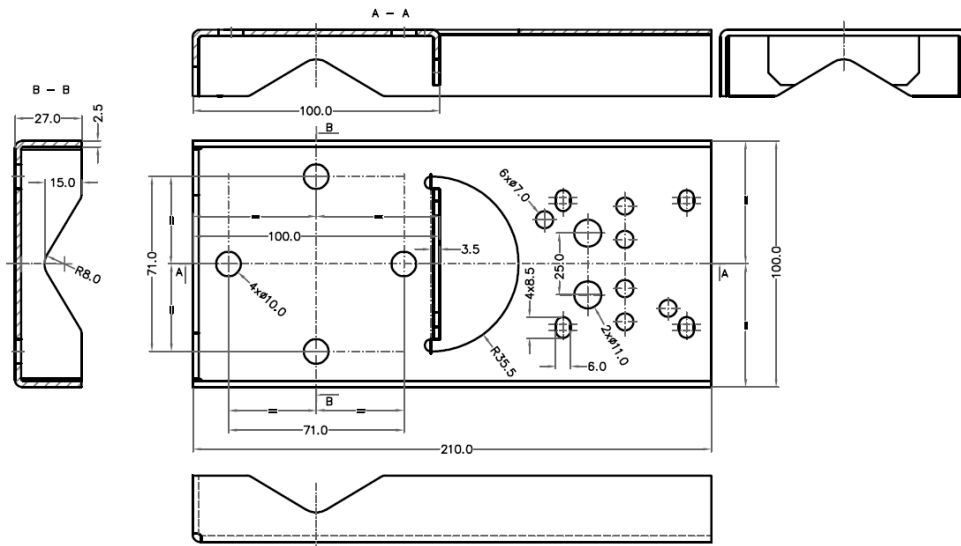
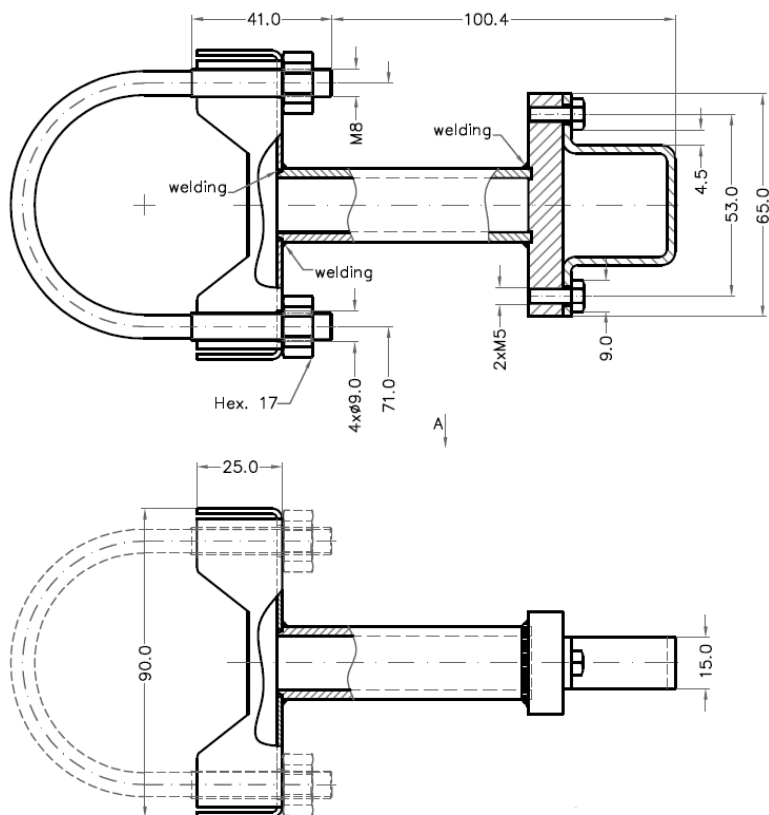


SET 2 & 4 - STRAIGHT



SET 5 & 6 - DISTANCE



Authorised Distributor:



46, Jalan SS 22/21, Damansara Jaya,
47400 Petaling Jaya, Selangor Darul Ehsan, Malaysia.

Email: nog@nog.com.my

Web access: <http://www.nog.com.my>



Holland – UK – Romania – India – Thailand – Dubai - USA

To our knowledge, the information contained herein is accurate as of the date of this document. However neither Badotherm, nor its affiliates makes any warranty, express or limited, or accepts any liability in connection with this information or its use. This information is for technical skilled persons at their own discretion and risk and does not relate to the use of this product in combination with any other product. The user alone finally determines suitability of any information or material in contemplated use, the manner of use and whether any patents are infringed. This information gives typical properties only.

Badotherm reserves the right to make changes to the specifications and materials without prior notice. The latest version of the datasheet can be found on www.badotherm.com.

© 2001 Badotherm, all rights reserved. Trademarks and/or other products referenced herein are either trademarks or registered trademarks of Badotherm. Registered trade names are Hastelloy, Inconel, Monel, and Stellite.